

<Except vehicles for Argentina> 1

<Vehicles for Argentina> 1

2.0 ± 0.5 N·m  
then 7.0 ± 0.5 N·m

12

13

5

6

4

2.5 ± 0.4 N·m

3

2

20

10 ± 1 N·m

11 ± 2 N·m

23

22

9.5 ± 2.5 N·m

42 ± 16 N·m

9.5 ± 2.5 N·m

42 ± 16 N·m

11 ± 3 N·m

24 9.5 ± 2.5 N·m

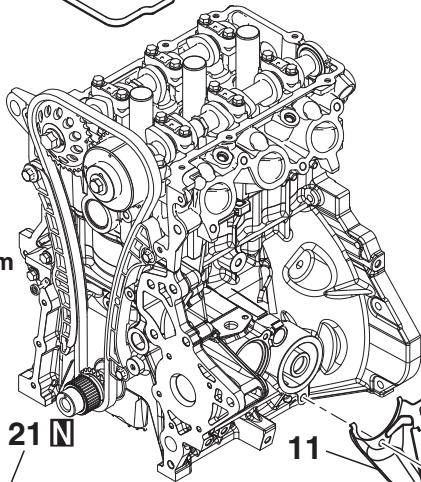
19

17

18

16

10 ± 2 N·m



21

11

10

27 ± 2 N·m

9

23 ± 6 N·m

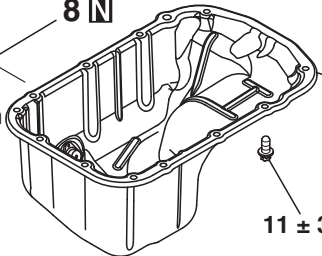
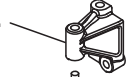
14

26 ± 6 N·m

8

39 ± 5 N·m

7



11 ± 3 N·m

15