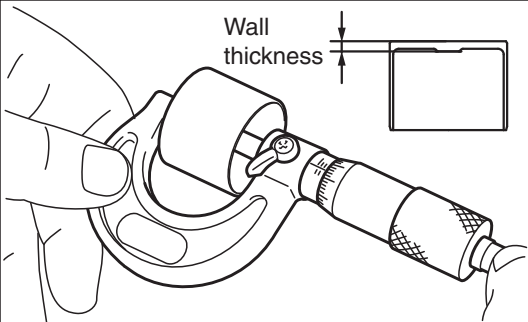
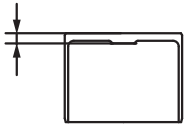


Wall
thickness



AK304938 AB