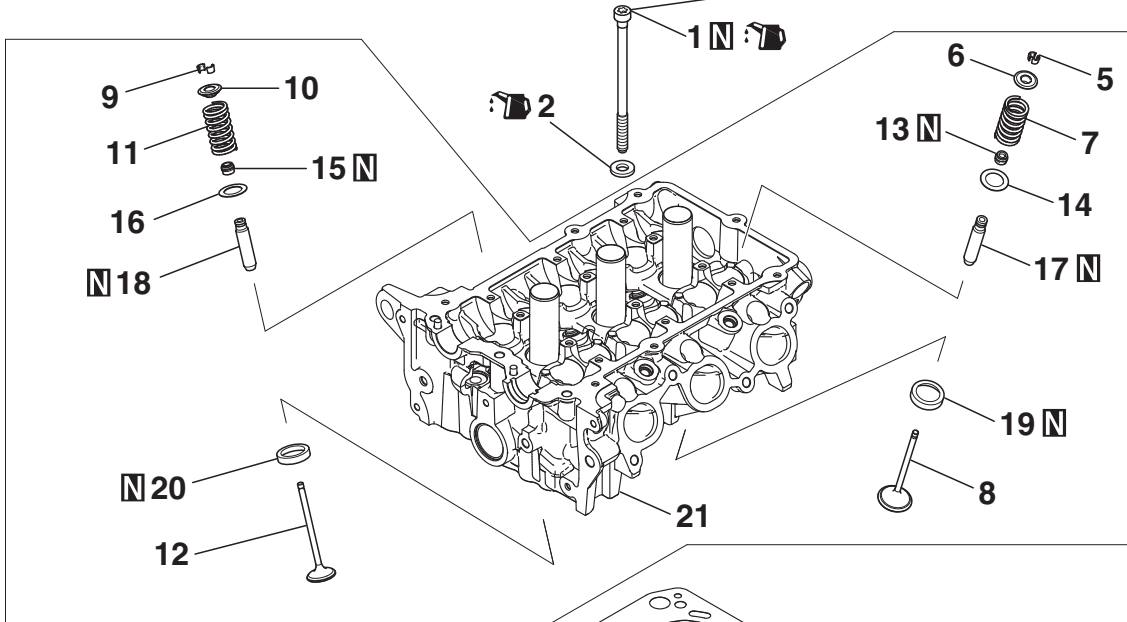



<Cold engine>
24.5 ± 2.0 N·m then +180° to 184°



 Apply engine oil to all moving parts before installation.

