
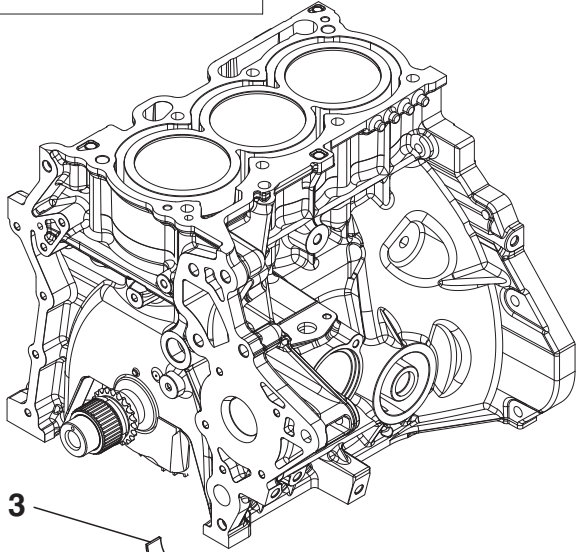


4

 Apply engine oil to all moving parts before installation.



3

2

1

14.7 ± 2.0 N·m then +90° to 94°

