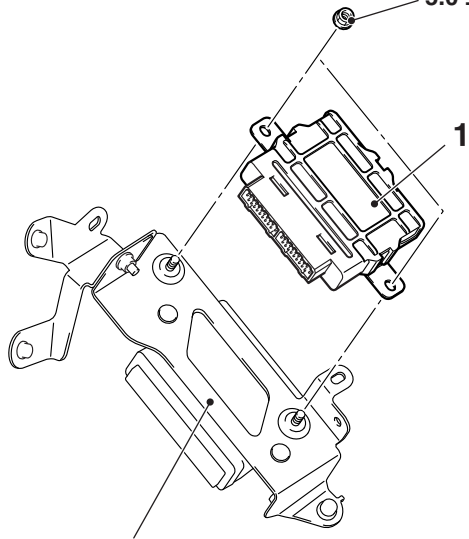


5.0 ± 2.0 N·m



Engine-ECU and  
bracket assembly

