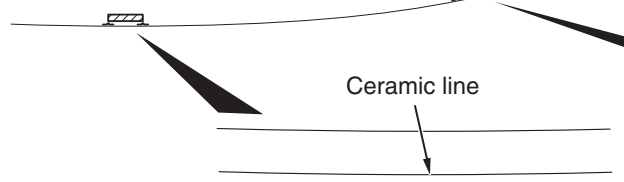
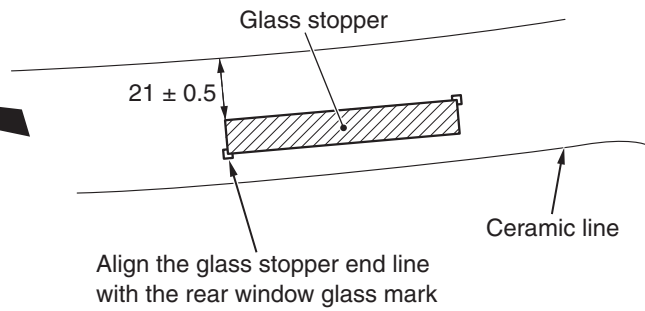
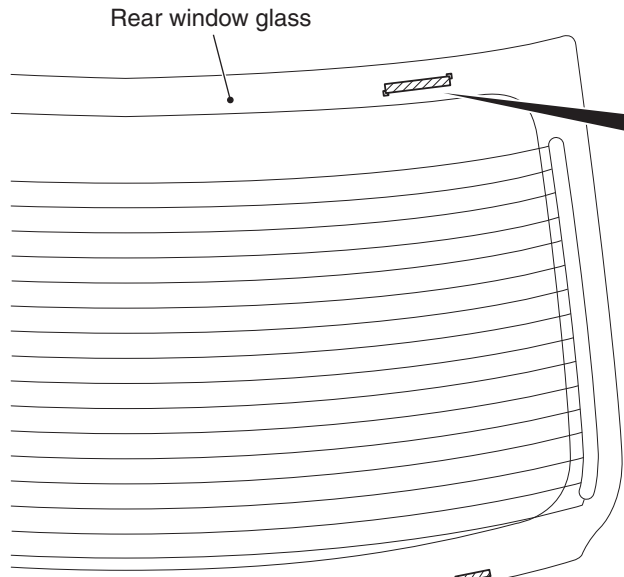


# Fastener, spacer and glass stopper installation position

Unit: mm



Align the end of the glass stopper with the notch on the ceramic.

