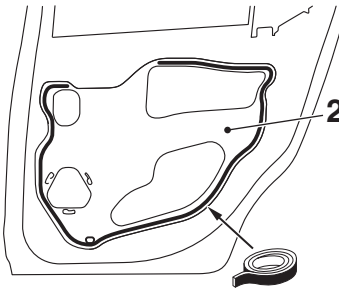
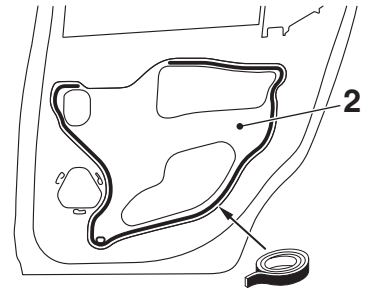


Sealant: 3M ATD Part No.8625 or equivalent



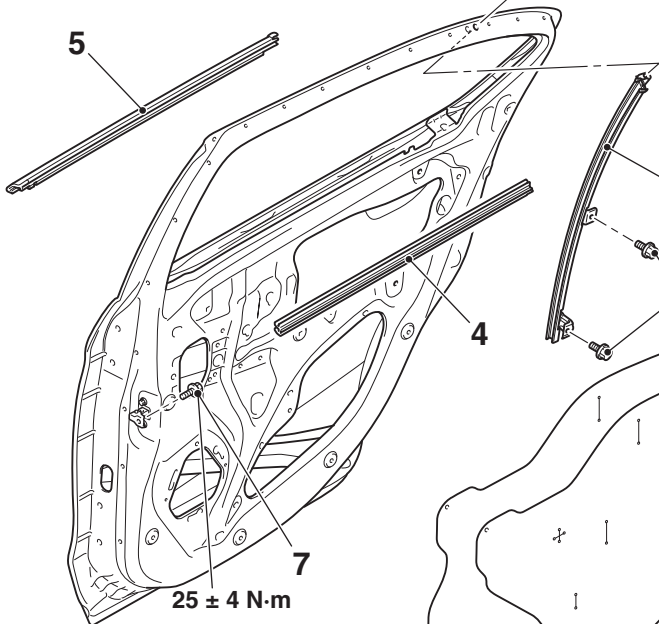
Vehicle without Speaker



Vehicle with Speaker

3.0 ± 1.0 N·m

5

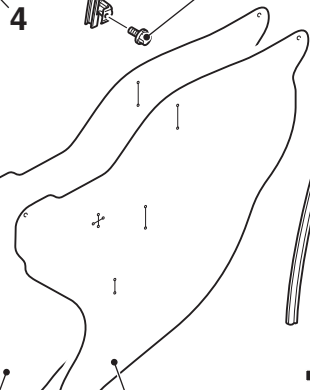


25 ± 4 N·m

1

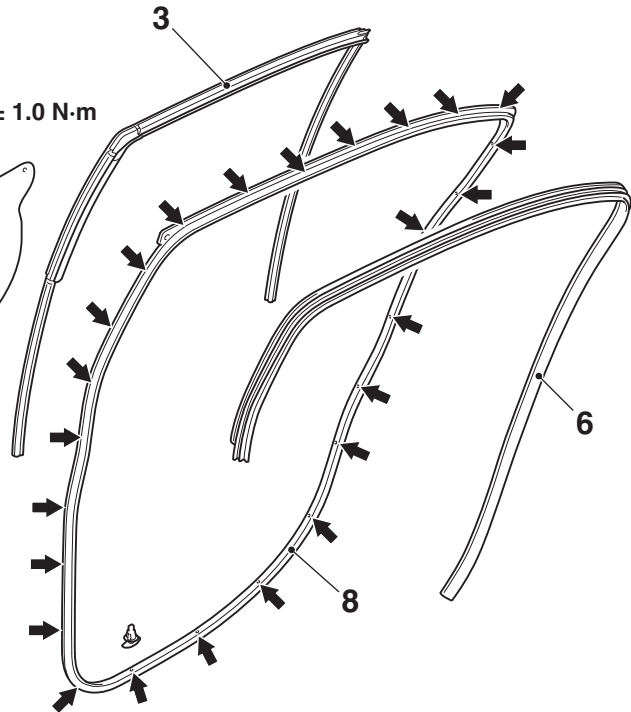
5.0 ± 1.0 N·m

3



<Vehicle with Speaker>

<Vehicle without Speaker>



SECTIONAL VIEW OF CLIP POSITION

