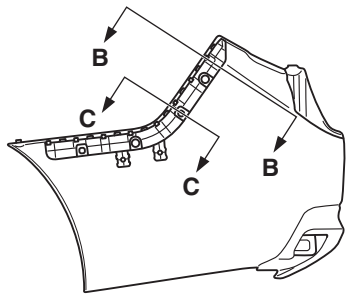
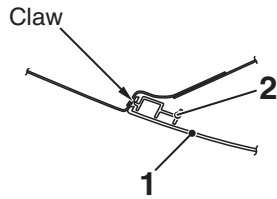


**View A**



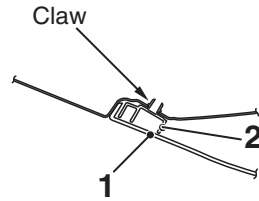
ACD00778

**Section B - B**



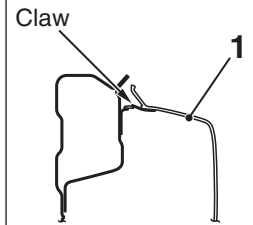
ACD00780

**Section C - C**

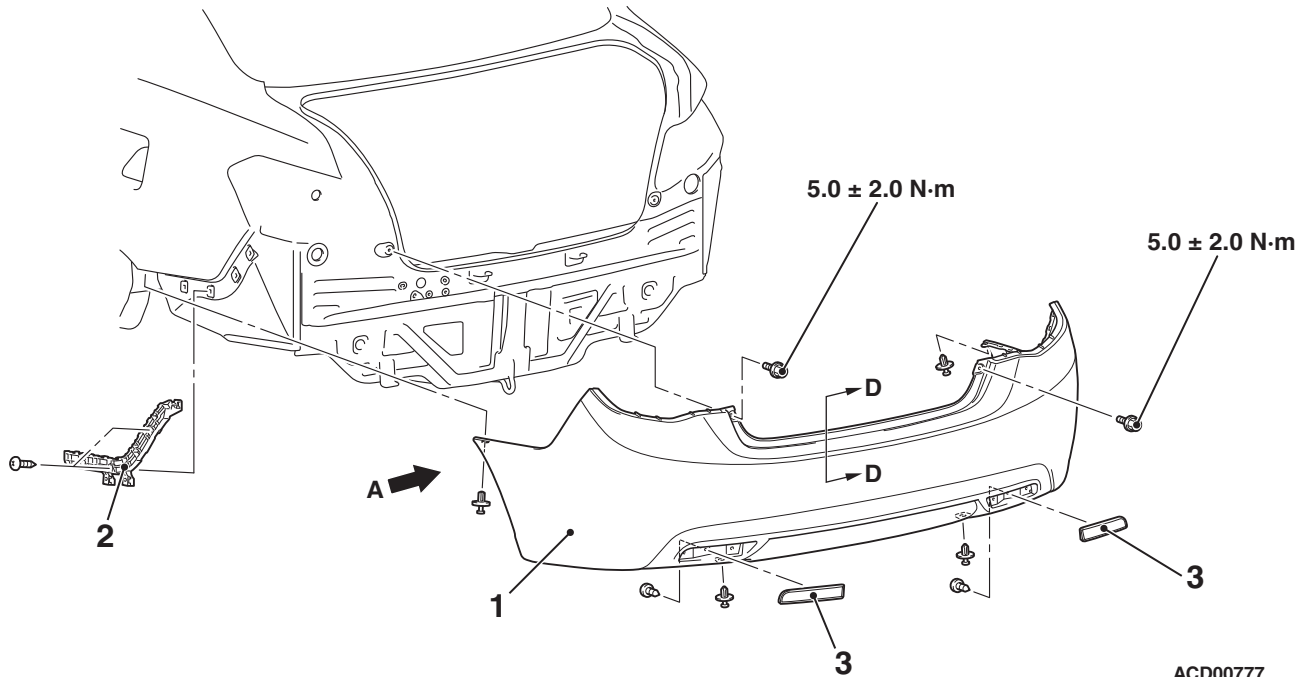


ACD00781

**Section D - D**



ACD00779



ACD00777  
ACD00782AB