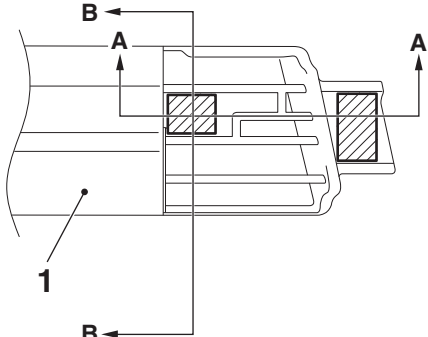
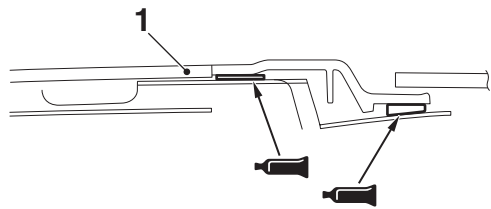


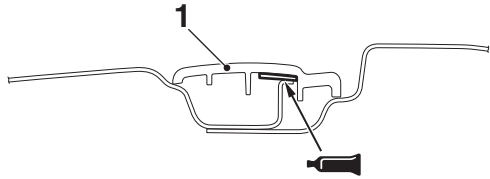
**<When using a new roof drip moulding>**



**Section A - A**



**Section B - B**



**Specified primer: 3M N200 or equivalent**