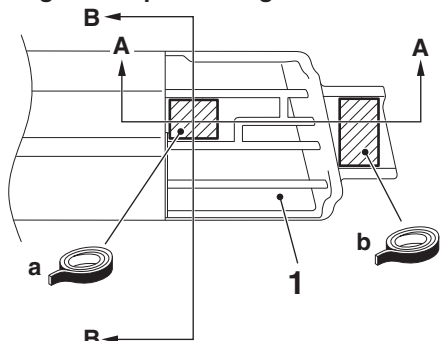
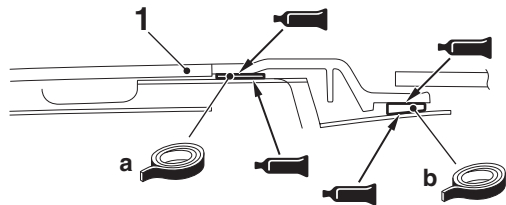


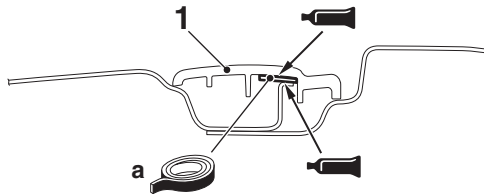
<When re-using roof drip moulding>



Section A – A



Section B – B



Double-sided tape: Generic products a (8 mm width, 10 mm length and 1.2 mm thickness),
b (14 mm width, 8 mm length and 2.0 mm thickness)
Specified primer: 3M N200 or equivalent