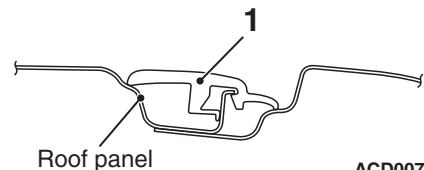
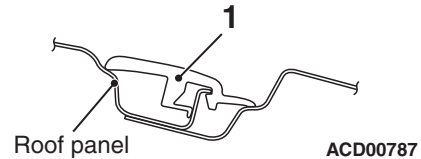


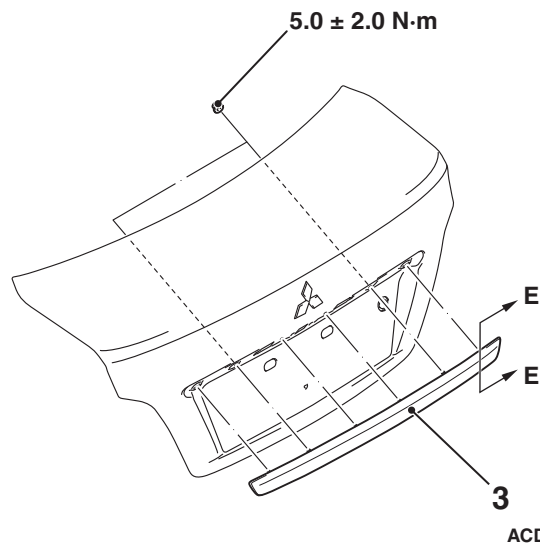
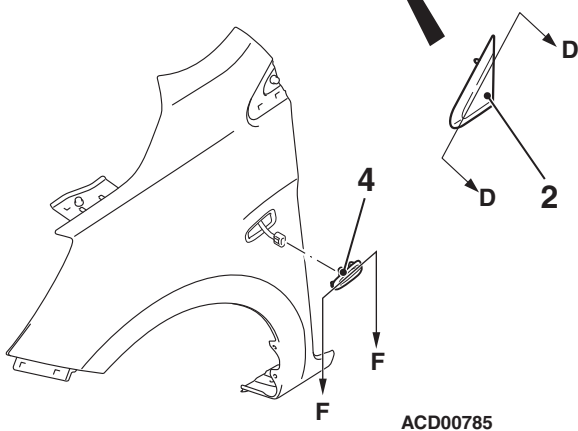
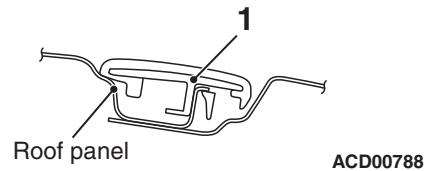
Section A - A



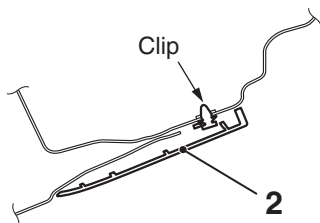
Section B - B



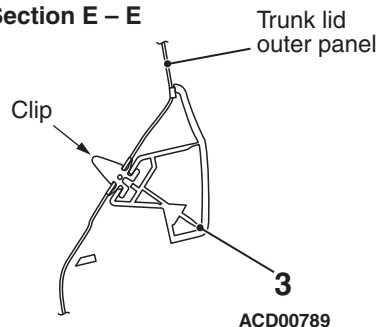
Section C - C



Section D - D



Section E - E



Section F - F

