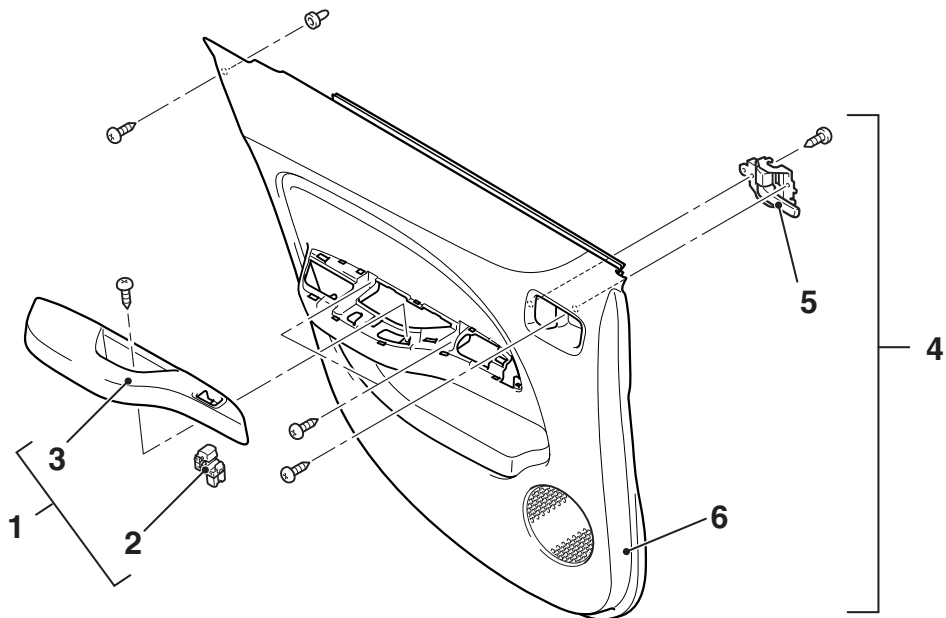


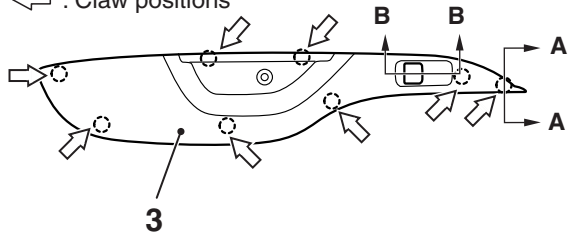
<Rear door trim>



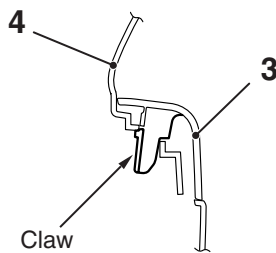
Note

➡ : Clip positions

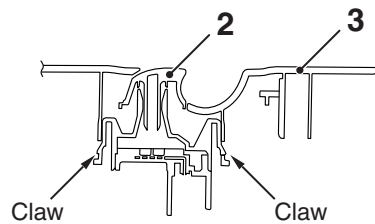
↔ : Claw positions



Section A - A



Section B - B



Section C - C

