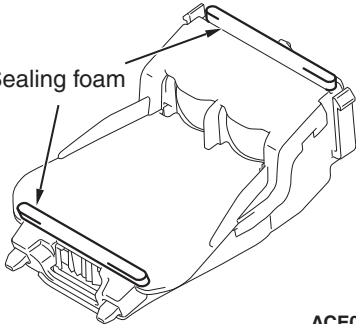


Sealing foam



ACE03006AC