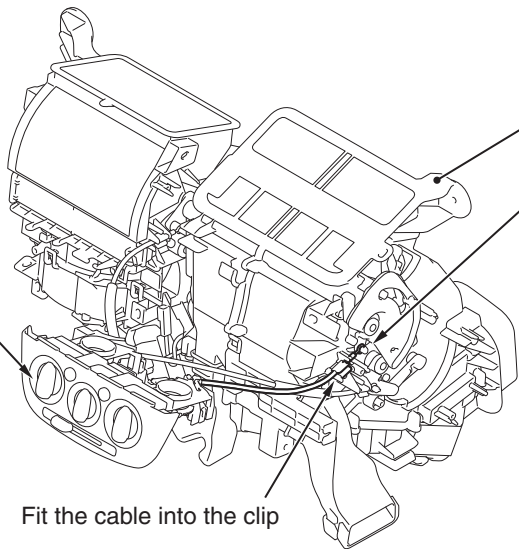


<RHD>



Heater unit assembly

Make sure that the temperature control damper lever is at MAX HOT position.

Rotate the temperature control dial to MAX HOT position.

Fit the cable into the clip