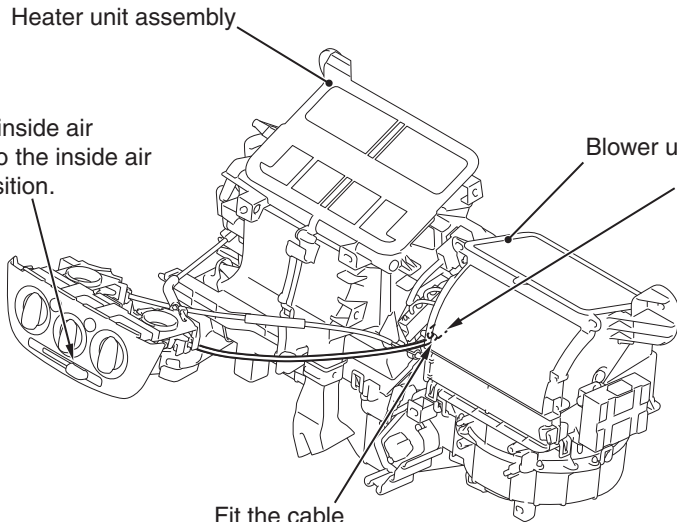


<LHD>

Set the outside/inside air selection lever to the inside air recirculation position.



Heater unit assembly

Blower unit

Set the outside/inside air selection damper lever to the inside air recirculation position.

Fit the cable into the clip