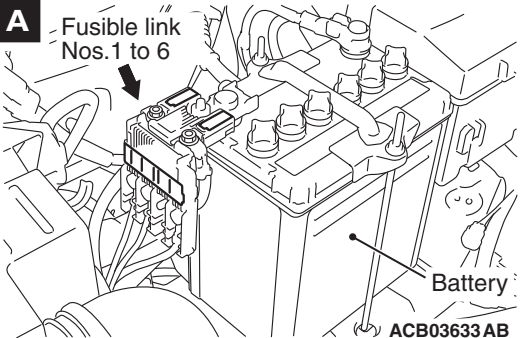


A

Fusible link
Nos.1 to 6



Battery

ACB03633 AB