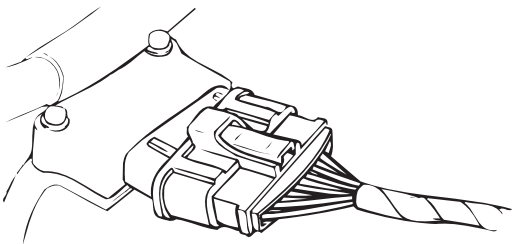
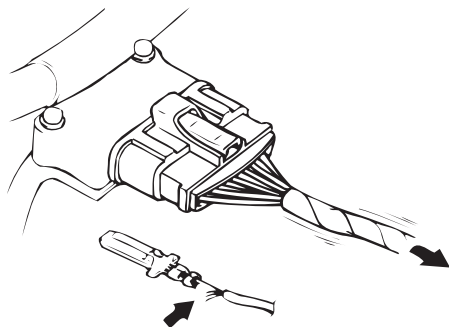


Connector disconnected or improperly connected



Stretched or broken wires



Harness wire breakage
at terminal section

Low contact pressure

