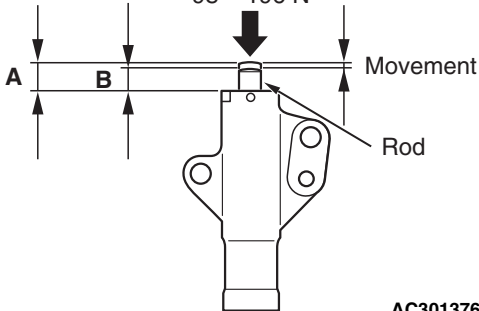


98 – 196 N



AC301376AB