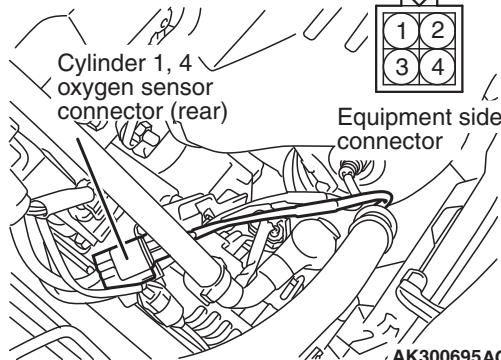
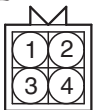


Cylinder 1, 4  
oxygen sensor (rear)



Cylinder 1, 4  
oxygen sensor  
connector (rear)



Equipment side  
connector