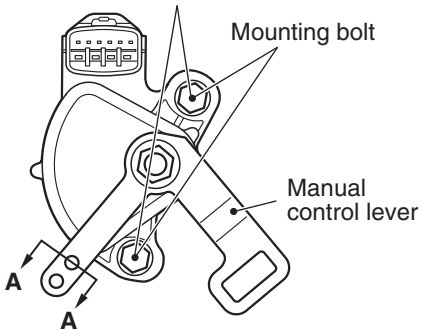


11 ± 1 N·m



Section A - A

Second hole from the end

