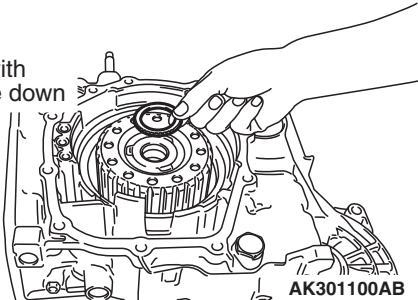




Install with  
this side down



**AK301100AB**