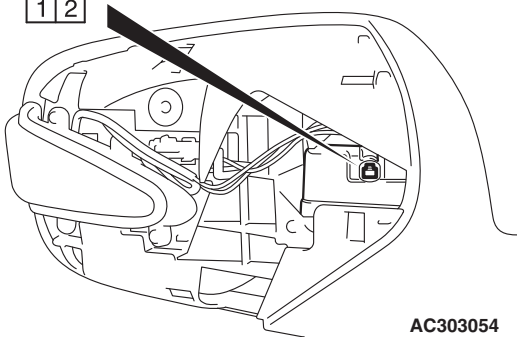
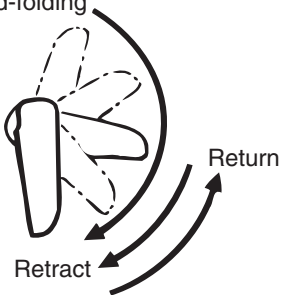


1 2



AC303054

Forward-folding



AC303551 AC