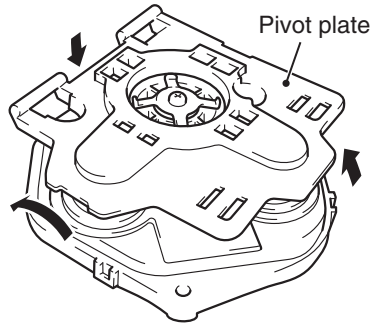
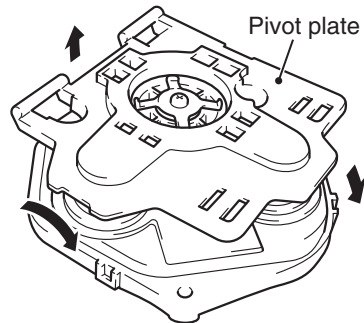


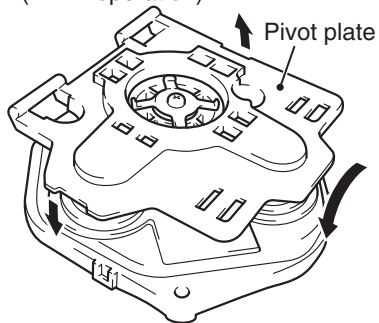
Upper in operation



Lower in operation



LH (LH in operation)
RH (RH in operation)



LH (RH in operation)
RH (LH in operation)

