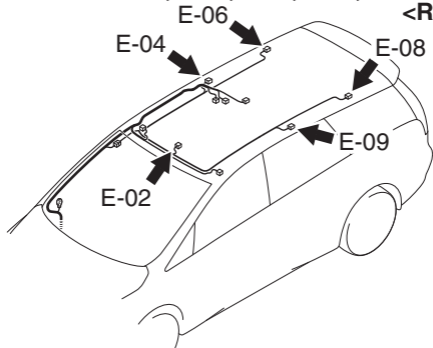


Connectors: E-02, E-04, E-06, E-08, E-09

<RHD>



Harness side

E-02

4	3			2	1
10	9	8	7	6	5

Harness side

E-04, E-06, E-08, E-09

	▽	
3	2	1

AC310656AD