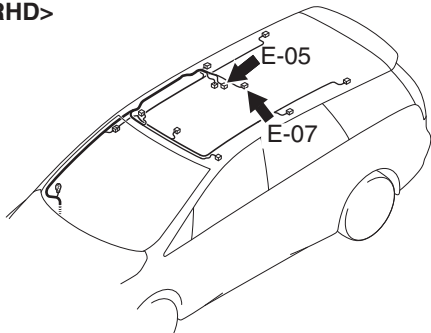


# Connectors: E-05, E-07

<RHD>



Harness side

E-05



Harness side

E-07

