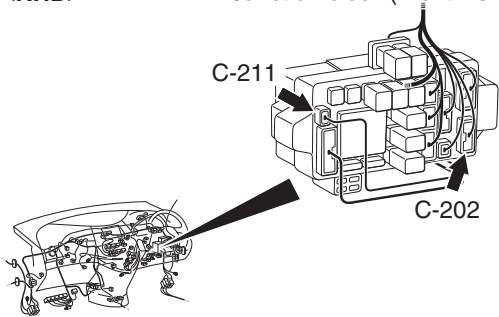


Connectors: C-202, C-211

<RHD>

Junction block (Front view)



Harness side

C-202



Harness side

C-211

