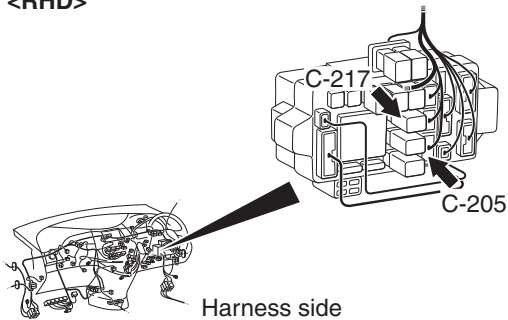
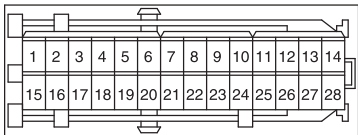


Connector: C-205, C-217

<RHD>



Harness side
C-205



Junction block side
C-217

