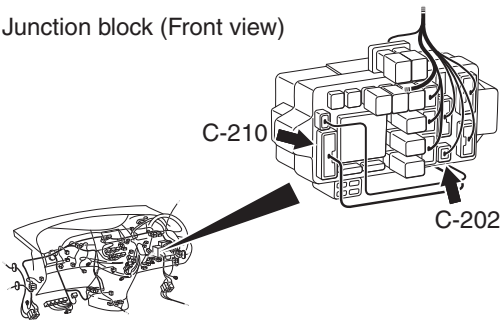
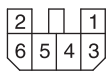


# Connectors: C-202, C-210 <RHD>

Junction block (Front view)



Harness side  
C-202



Harness side  
C-210

