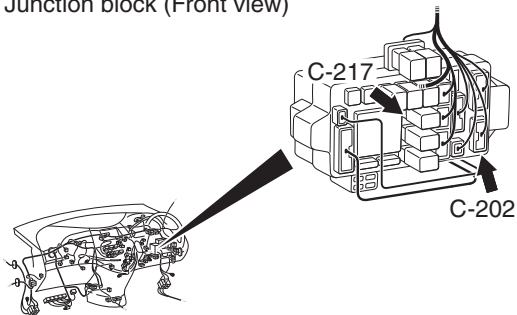


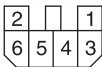
Connectors: C-202, C-217

Junction block (Front view)



Harness side

C-202



Junction block side

C-217

