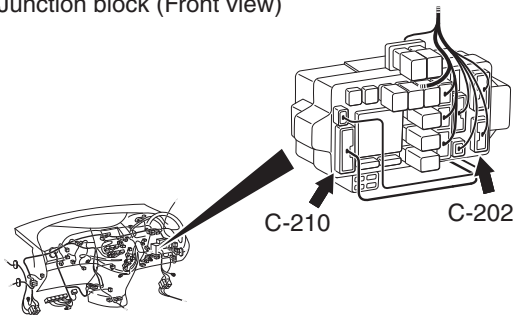


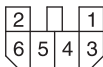
Connectors: C-202, C-210

Junction block (Front view)



Harness side

C-202



Harness side

C-210

