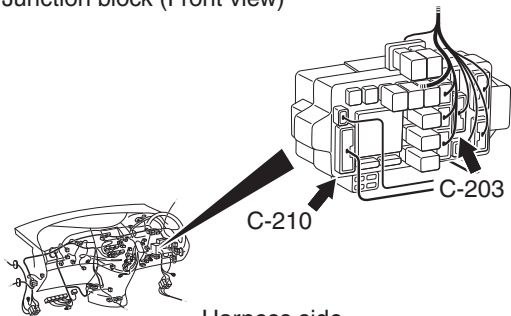


Connectors: C-203, C-210

Junction block (Front view)



Harness side

C-203

6	5	4			3	2	1
14	13	12	11	10	9	8	7

Harness side

C-210

7	6	5			4	3	2	1
15	14	13	12		11	10	9	8