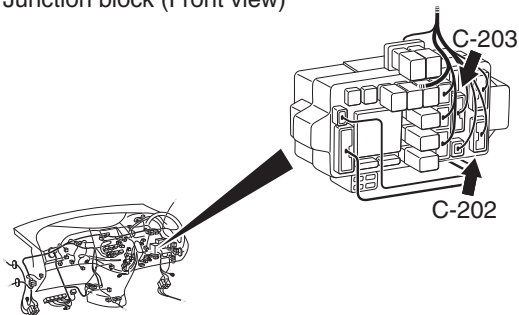


Connectors: C-202, C-203

Junction block (Front view)



C-202

Harness side



C-203

Harness side

