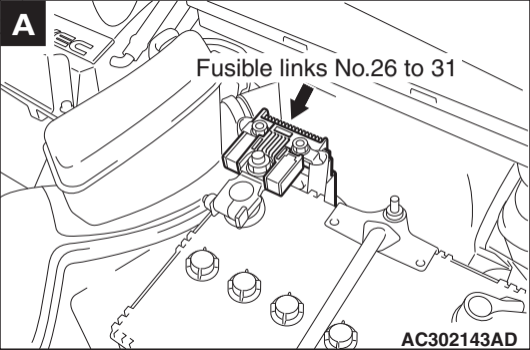


A

Fusible links No.26 to 31



AC302143AD