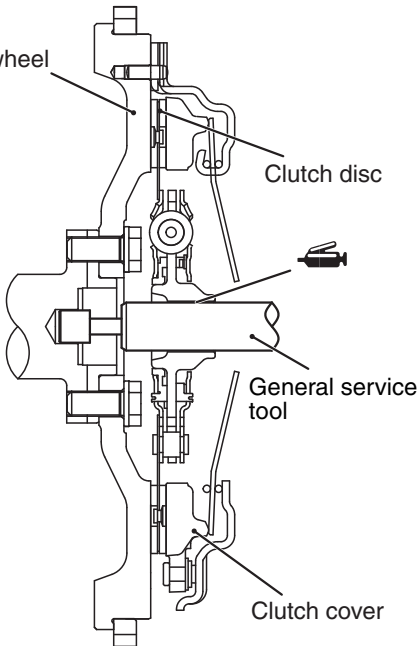


Flywheel



AKA00218AB