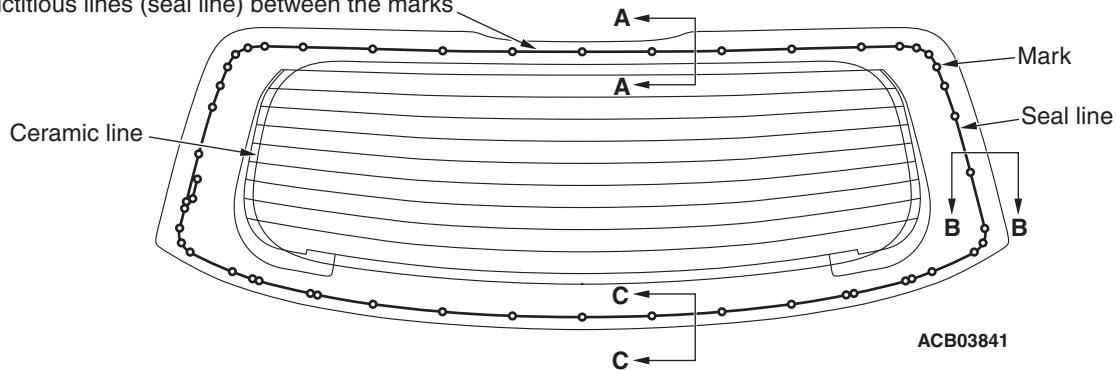
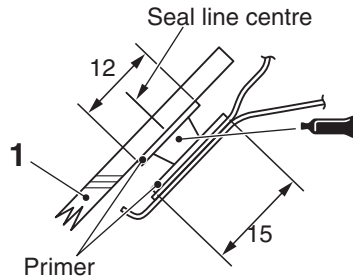


Apply the primer and adhesive along the fictitious lines (seal line) between the marks

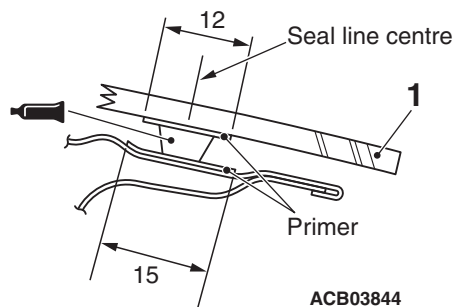


Section A - A



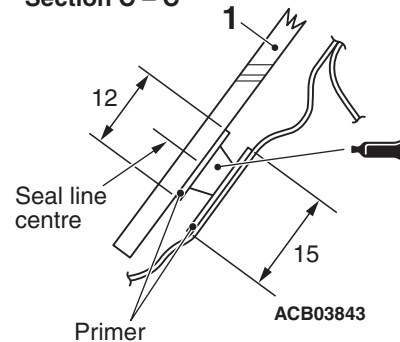
ACB03842

Section B - B



ACB03844

Section C - C



ACB03843

**Adhesive: 3M ATD part No. 8609 Super Fast Urethane and
3M ATD Part No. 8608 Super Fast Urethane Primer or equivalent**