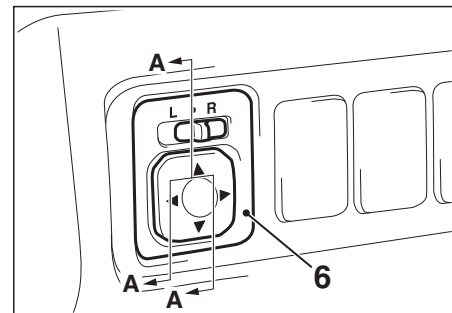
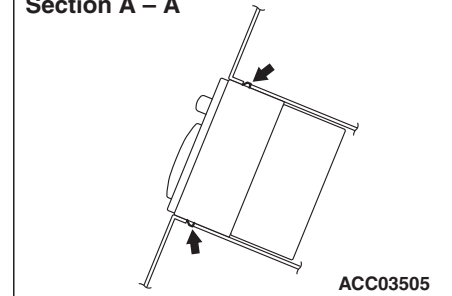


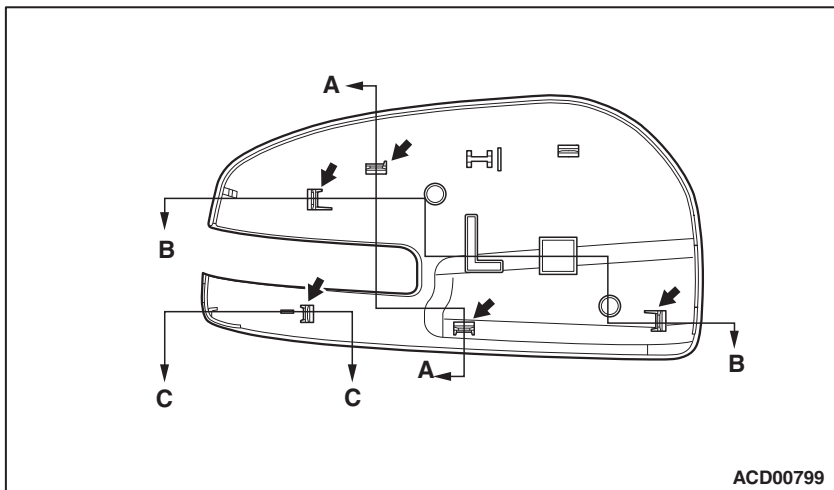
ACD00798



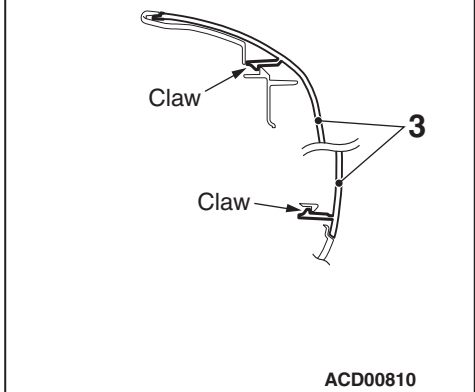
Section A - A



← : Claw positions



Section A - A



ACD03086 AB