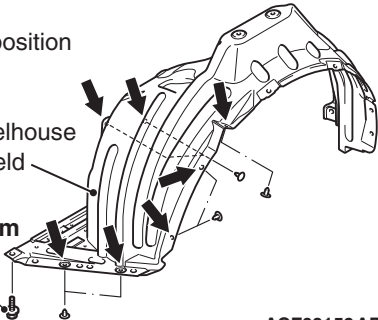


Note

← : Clip position

Front wheelhouse  
splash shield

$9.5 \pm 3.5 \text{ N}\cdot\text{m}$



ACF03159AB