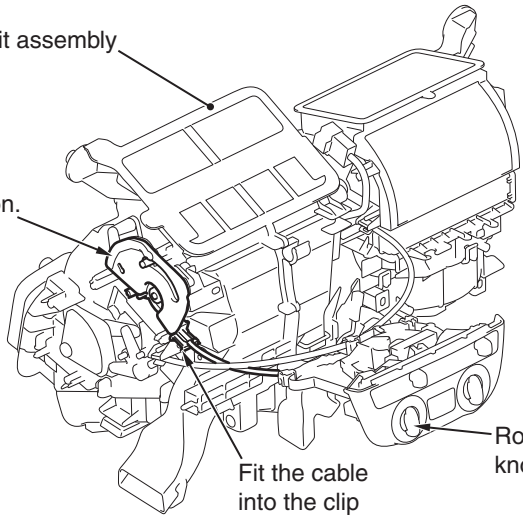


Heater unit assembly

Rotate the air outlet changeover damper lever to the FACE position.



Fit the cable into the clip

Rotate the air outlet changeover knob to the FACE position.