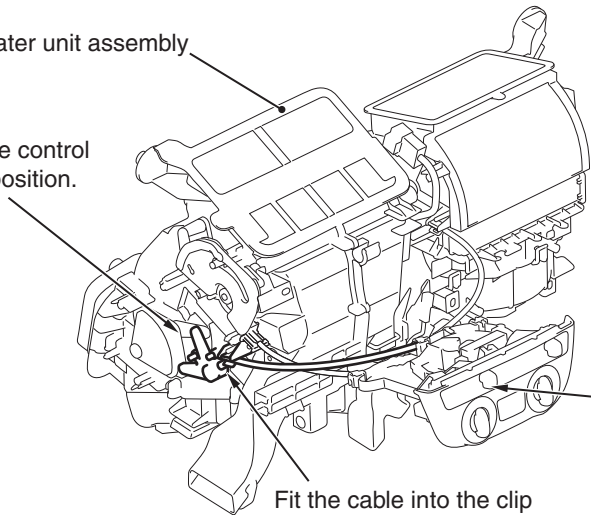


Heater unit assembly

Make sure that the temperature control damper lever is at MAX HOT position.



Fit the cable into the clip

Move the temperature control dial knob on the heater control panel to MAX HOT position.