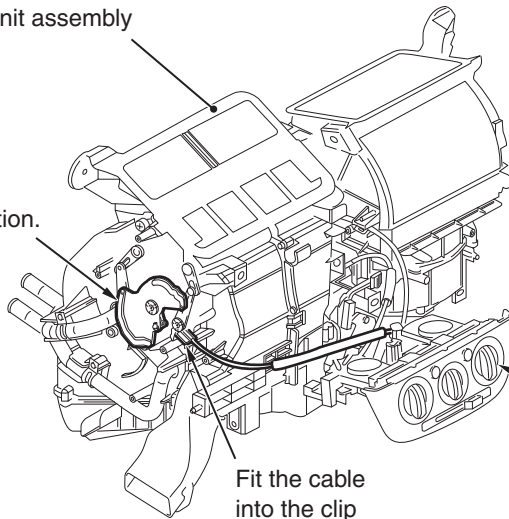


<LHD>

Heater unit assembly

**1**

Rotate the mode selection damper lever to the FACE position.



Fit the cable  
into the clip

**2**

Rotate the mode selection dial  
knob to the FACE position.