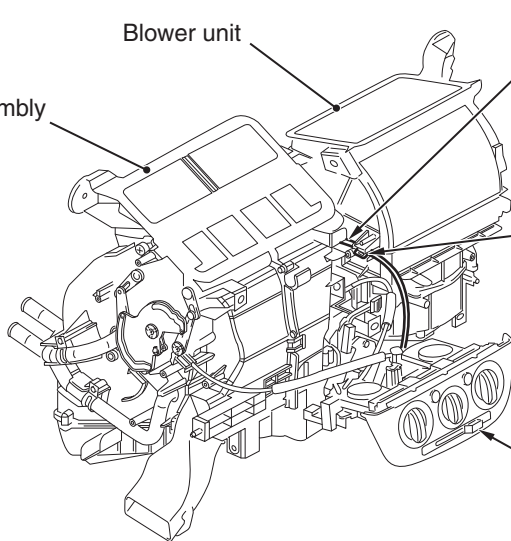


<LHD>

Heater unit assembly

Blower unit



1 Set the outside/inside air selection damper lever to the inside air recirculation position.

Fit the cable into the clip

2 Set the outside/inside air selection lever to the inside air recirculation position.