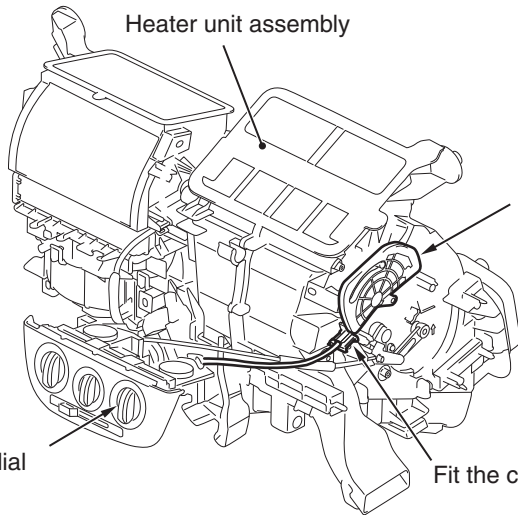


<RHD>

Heater unit assembly



**1**

Rotate the mode selection damper lever to the FACE position.

**2**

Rotate the mode selection dial knob to the FACE position.

Fit the cable into the clip