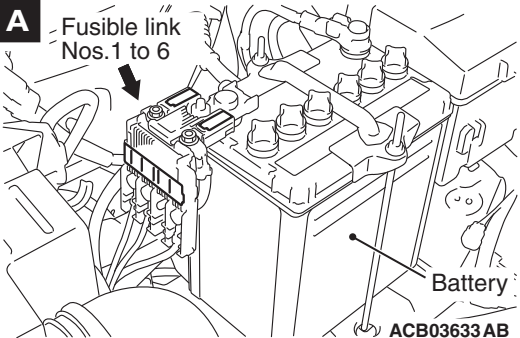


**A**

Fusible link  
Nos.1 to 6



Battery

ACB03633 AB