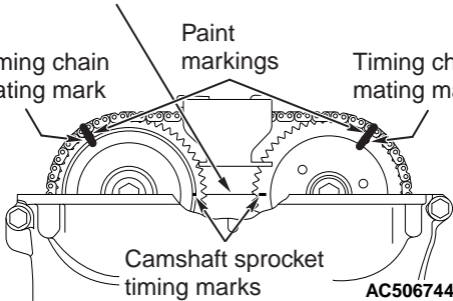


Cylinder head upper surface

Timing chain mating mark

Paint markings

Timing chain mating mark



Camshaft sprocket timing marks

AC506744 AB