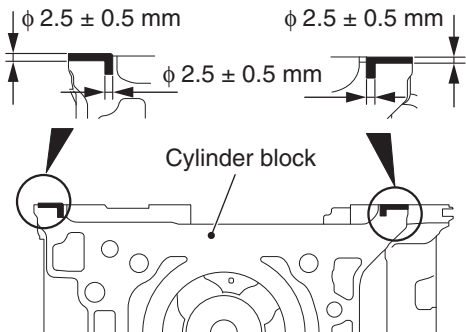


<Cylinder block side>



<Cylinder head gasket side>

