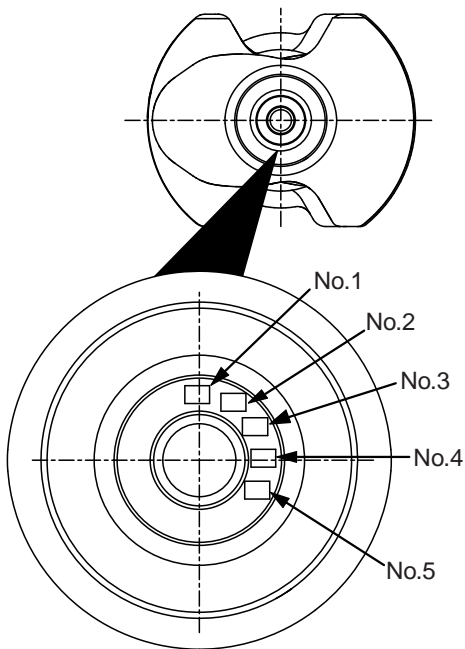


Journal identification mark position



AK502528AC