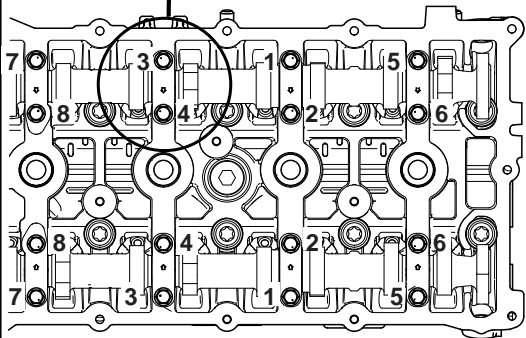




Identification mark

Cap No.



AK503813 AC