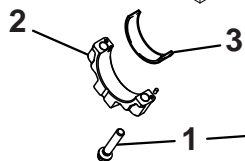
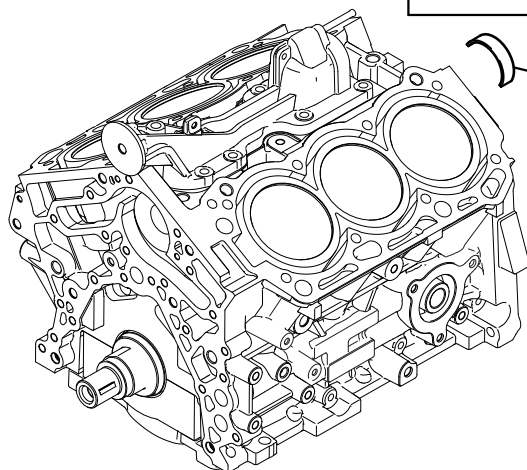
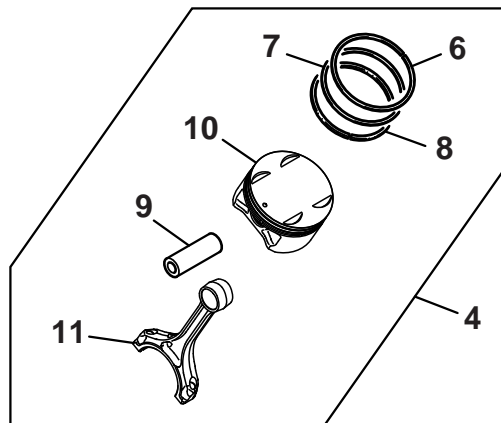




Apply engine oil to
all moving parts
before installation.



1 — 20 ± 2 N·m then $+90^\circ$