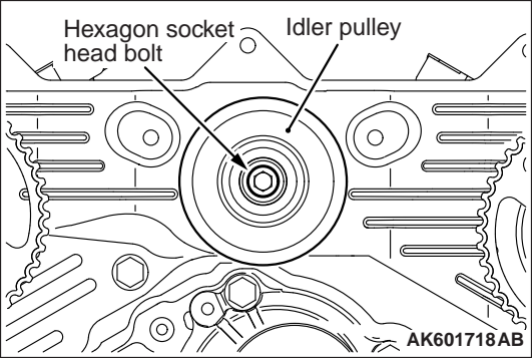


Hexagon socket
head bolt

Idler pulley



AK601718AB