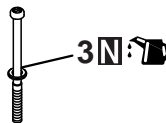
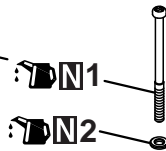
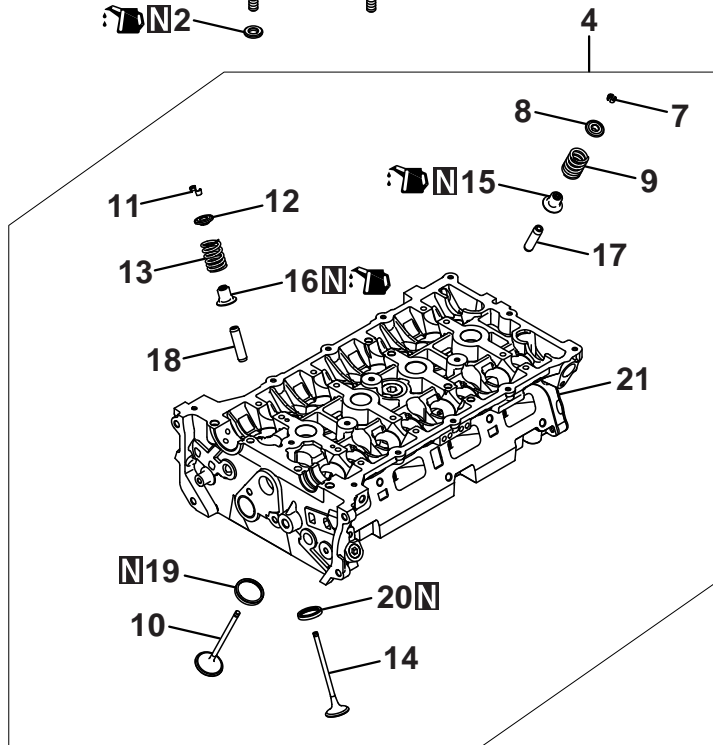



$35 \pm 2 \text{ N}\cdot\text{m}$, $+90^\circ$ then $+90^\circ$



$35 \pm 2 \text{ N}\cdot\text{m}$, $+90^\circ$ then $+90^\circ$



 Apply engine oil to all moving parts before installation.

